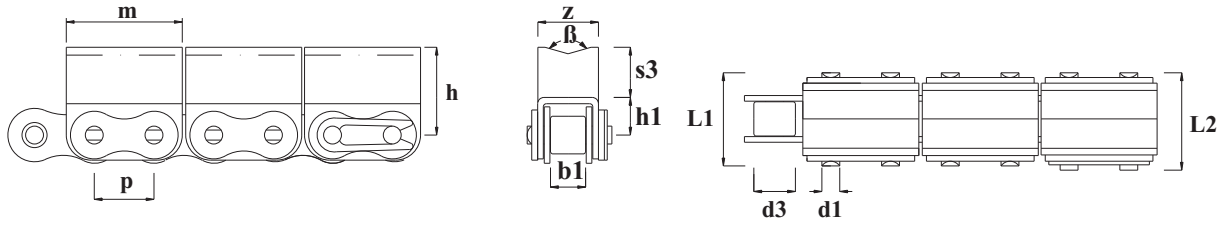


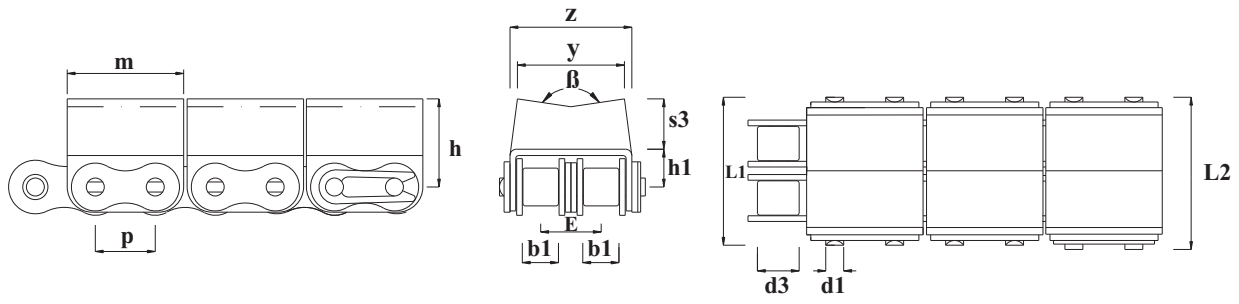


SPECIAL CHAINS

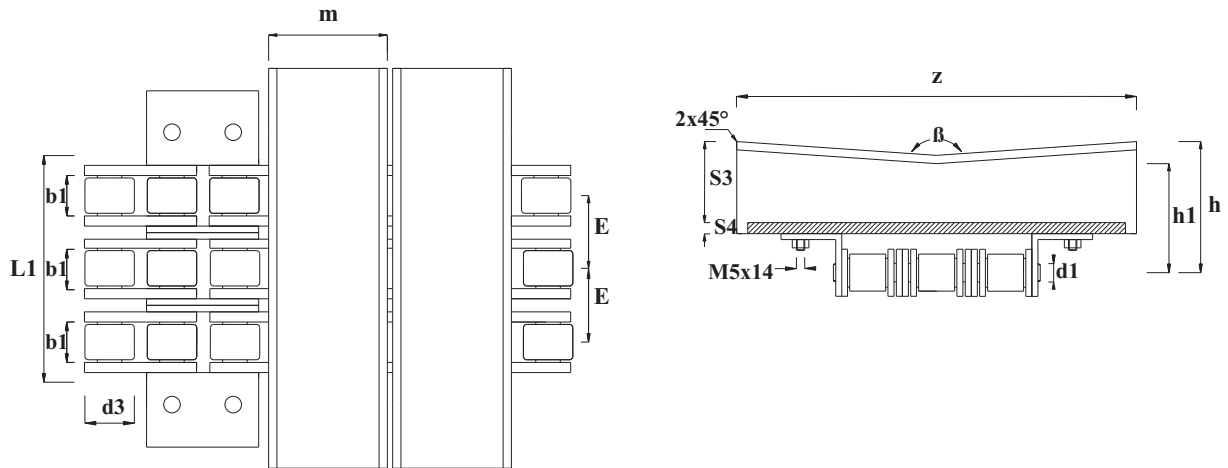
CHAINS WITH RUBBER PROFILE



OUR CODE	PITCH	Roller Ø	Width Between Inner Plates	Pin Ø	Pin Length	Connecting Pin Length	Attachment							Transverse Pitch	Ultimate Tensile Strength	Weight Per Meter
	p	d3	b1	d1	L1	L2	m	h	h1	s3	s4	β	z	E	Q	q
	mm	mm	mm	mm	mm	mm	mm	mm	mm	mm	mm	°	mm	mm	kg	kg/mt
12B1/38.08	19.050	12.070	11.68	5.72	25.80	28.0	37.00	21.50	18.50	8.60		150	20.50		2.900	1.70



OUR CODE	PITCH	Roller Ø	Width Between Inner Plates	Pin Ø	Pin Length	Connecting Pin Length	Attachment							Transverse Pitch	Ultimate Tensile Strength	Weight Per Meter	
	p	d3	b1	d1	L1	L2	m	h	h1	s3	s4	β	z	y	E	Q	q
	mm	mm	mm	mm	mm	mm	mm	mm	mm	mm	mm	°	mm	mm	mm	kg	kg/mt
12B2/42.08	19.050	12.070	11.68	5.72	45.50	47.00	37.00	28.00	12.00	16.00		164	38.70	34.50	19.46	5.300	3.00



OUR CODE	PITCH	Roller Ø	Width Between Inner Plates	Pin Ø	Pin Length	Connecting Pin Length	Attachment							Transverse Pitch	Ultimate Tensile Strength	Weight Per Meter	
	p	d3	b1	d1	L1	L2	m	h	h1	s3	s4	β	z	y	E	Q	q
	mm	mm	mm	mm	mm	mm	mm	mm	mm	mm	mm	°	mm	mm	mm	kg	kg/mt
12B3/43.08	19.050	12.070	11.68	5.72	62.50	64.00	35.00	41.50	37.50	20.00	5.00	174	116.00		19.46	8.500	11.60

